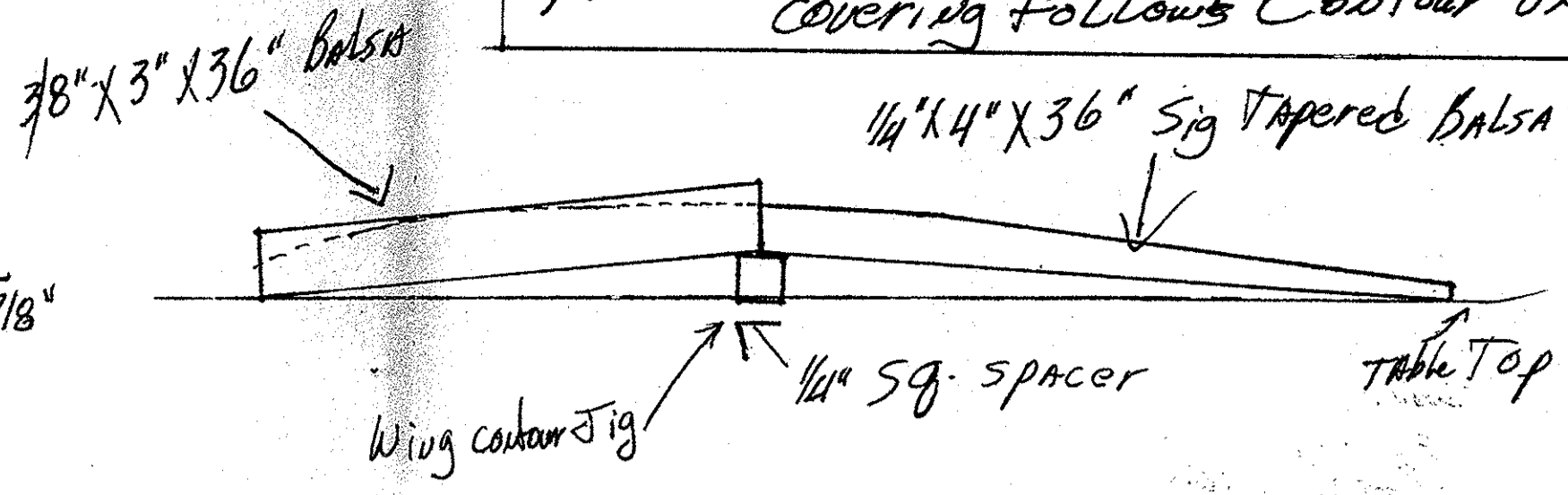
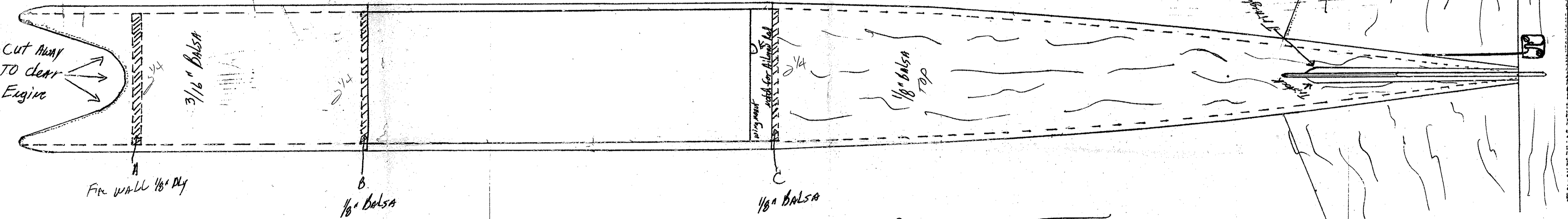


NOTE: If Moulding Wing Be sure covering follows contour on bottom of wing

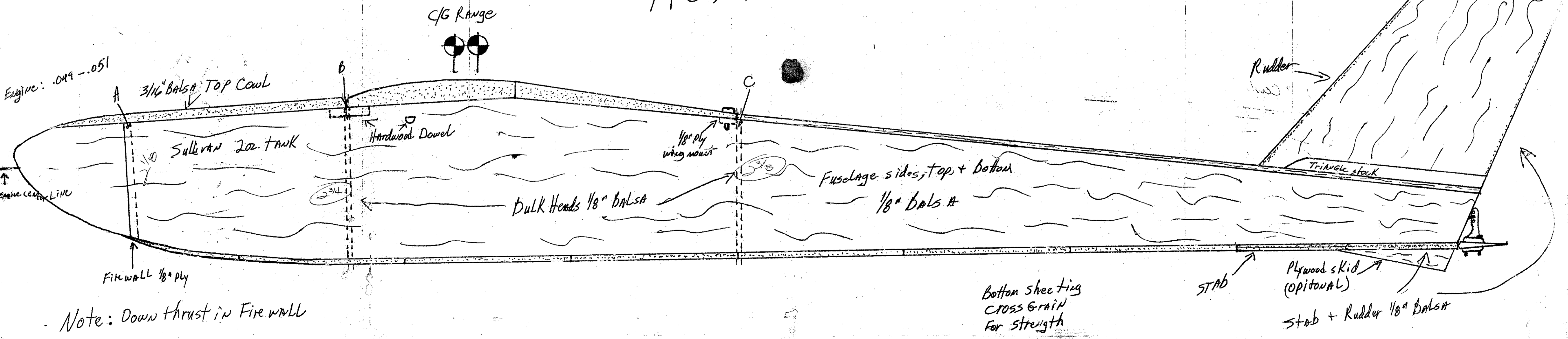


Dihedral 3" (1.5" per tip)  
OPTIONAL

- 1 - 1/8 x 2 1/4 x 2 3/8
- 1 - 1/8 x 2 1/4 x 2 3/4
- 1 - 1/8 ply 2 1/4 x 2 1/8
- 3 - 1/8 x 4 x 2 3/4
- 2 - 1/8 x 4 x 2 1/2
- 1 - 1/8 ply x 2 1/4 x 3/4
- 1 - 1/8 ply x 2 1/4 x 3/8
- 1 - 1/8 x 2 3/4 x 1 1/4
- 1 - 3/16 x 2 3/4 x 1 1/2



# Honker Rocket



Note: Down thrust in Fire wall

Bottom sheeting cross grain for strength

Stab + Rudder 1/8" Balsa